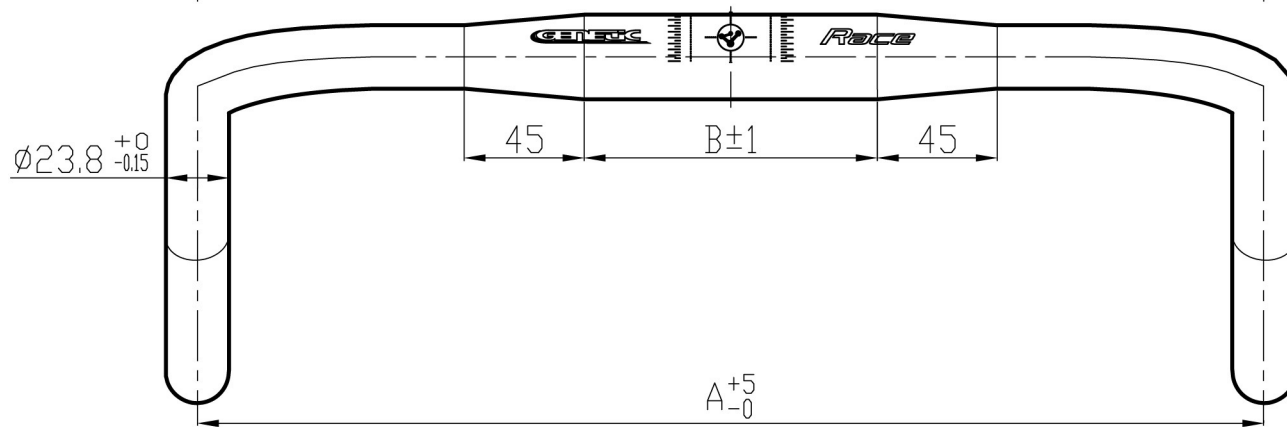
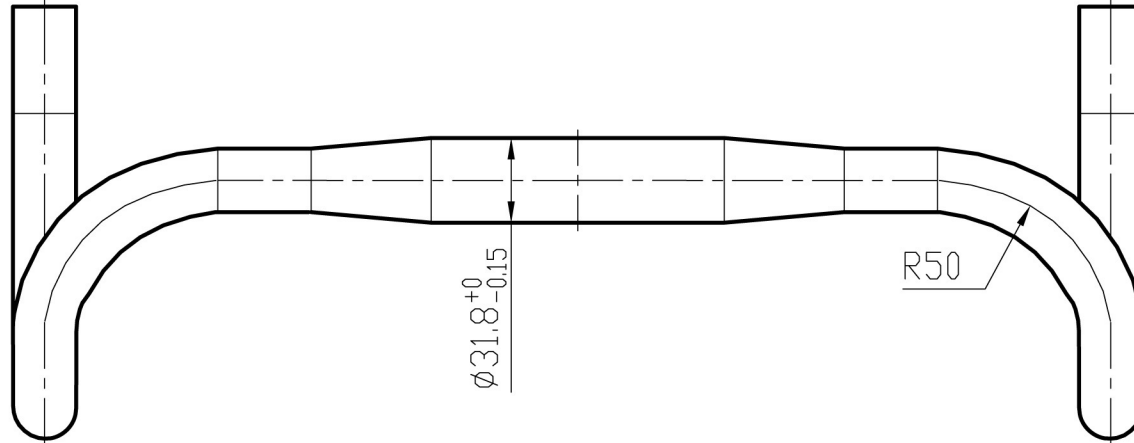
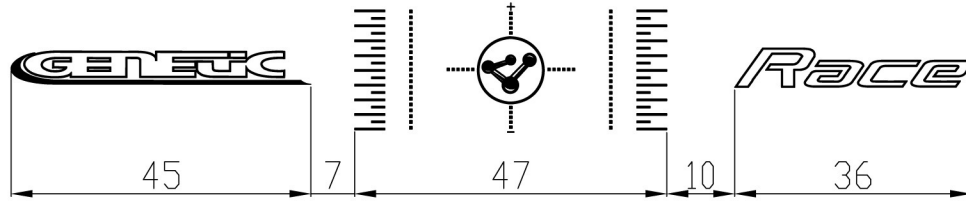


ITEM	A	B
1	380	90
2	400	110
3	420	
4	440	



1~2mm)

Production Code laser on bar end

